

AGNUS CONFIG JUMPERS

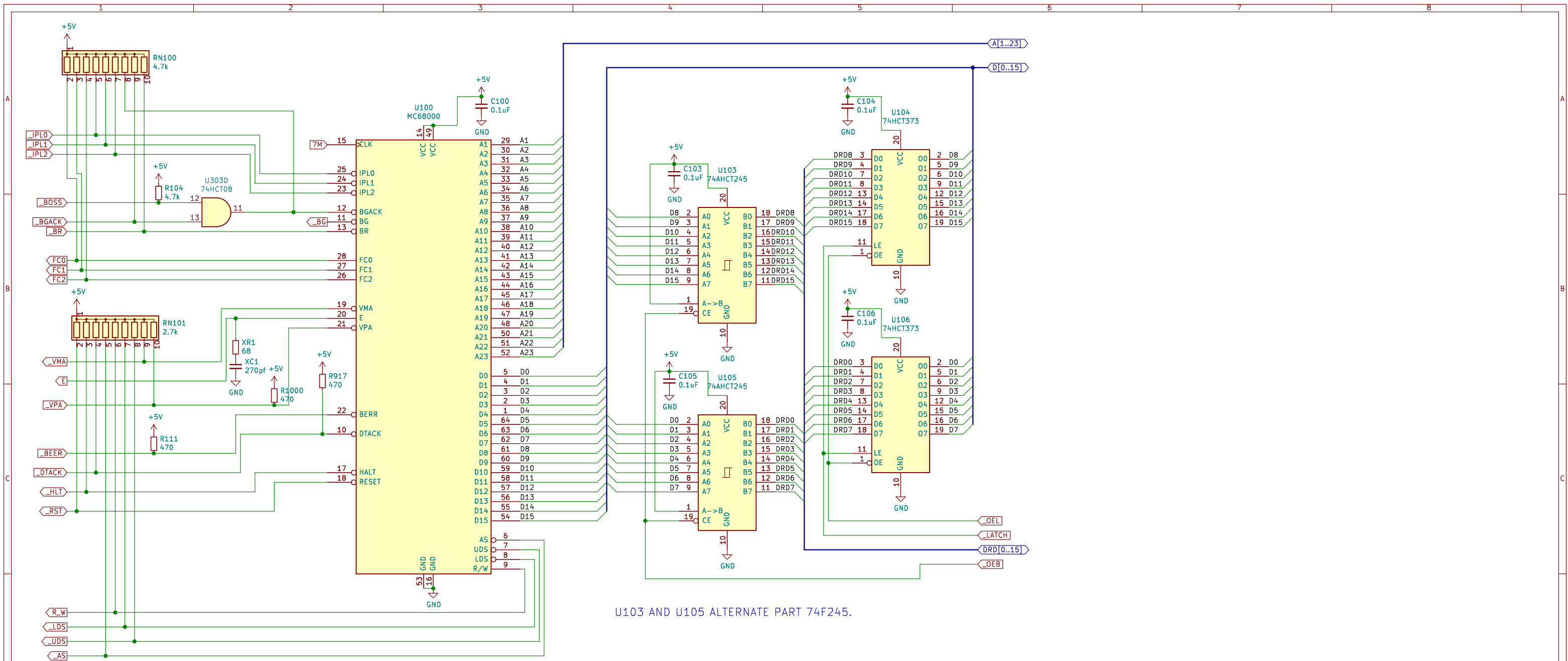
Agnus	8372A	8375	8375
Commodore Part Number	ALL	390544-01 390544-02 390554-01 390554-02 318069-12 318069-13	318069-10 318069-11
Jumper			
JA1	3-2	1-2	1-2
JA2	3-2	1-2	1-2
JA3	3-2	1-2	1-2
JA4	3-2	1-2	1-2
JA5	3-2	OPEN	1-2
JA6	3-2	1-2	1-2
JA7	SHORT	OPEN	OPEN
JA8	3-2	1-2	1-2
JA9	3-2	1-2	1-2
JA10	3-2	1-2	1-2
JA11	3-2	1-2	1-2
JA12	3-2	1-2	1-2
JA13	3-2	1-2	1-2
JA14	3-2	1-2	1-2
J102	SHORT for NTSC OPEN for PAL	SHORT	SHORT

OTHER JUMPERS

Jumper	Description	Detail
J301	DF1 Presence	Place jumper when using two internal disk drives
J900	Chip RAM DMA Slowdown	Place jumper (factory default)
J9001	Reset	Attach EATX case reset switch
J9002	Power LED	Attach EATX case power LED
J9003	Case Fan	Attach 12V cooling fan
J9004	HSYNC/COMPSYNC	Sends Composite Sync or HSYNC on video port
J9100	Power Switch	Attach EATX case power switch

J503 = SRAM Vcc
 1-2 3.3V (Factory Default)
 2-3 5V

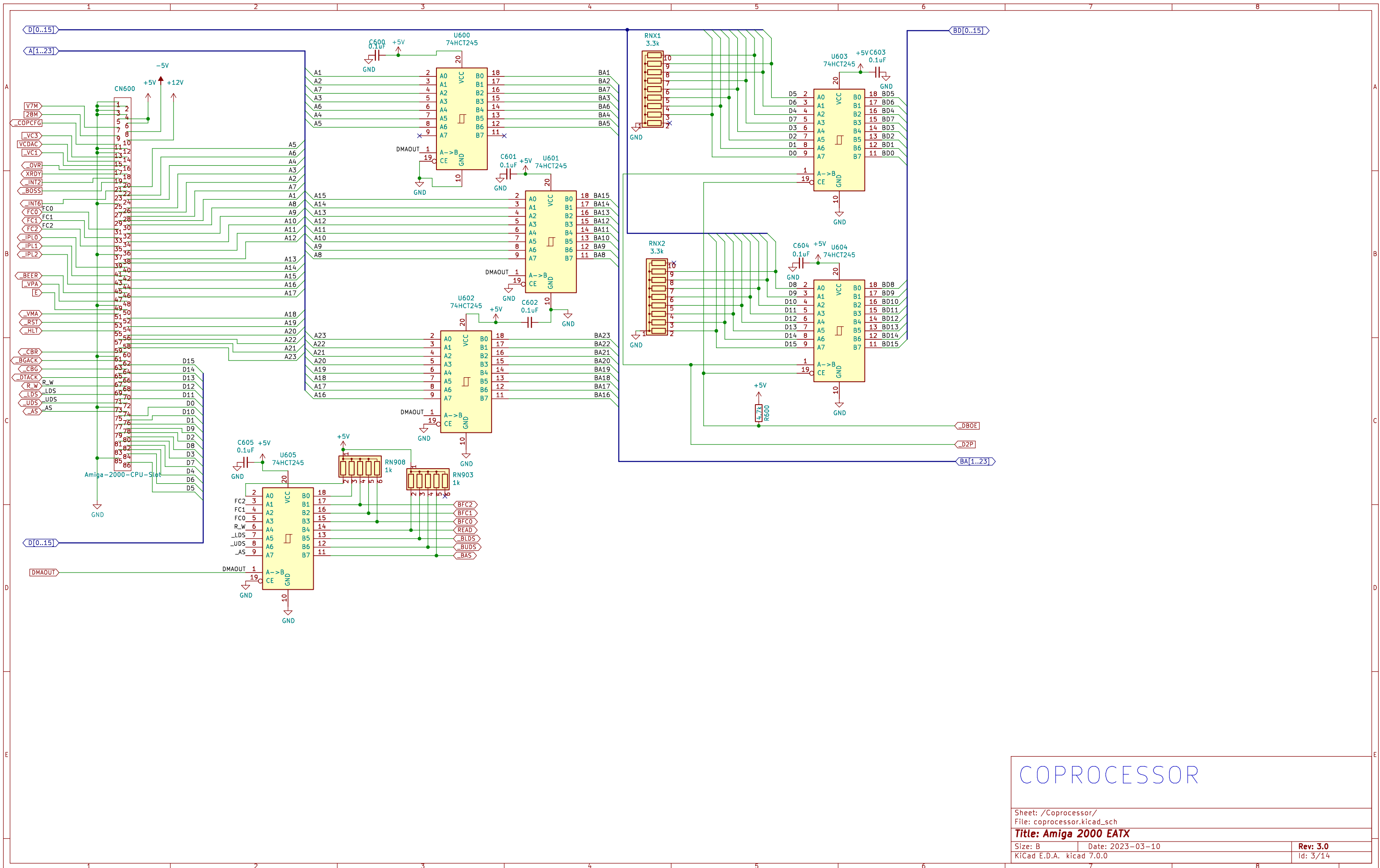
Amiga 2000 EATX Details



U103 AND U105 ALTERNATE PART 74F245.

PROCESSOR

Sheet: /Processor/		
File: Processor.kicad_sch		
Title: Amiga 2000 EATX		
Size: B	Date: 2023-03-10	Rev: 3.0
KiCad E.D.A. kicad 7.0.0		Id: 2/14

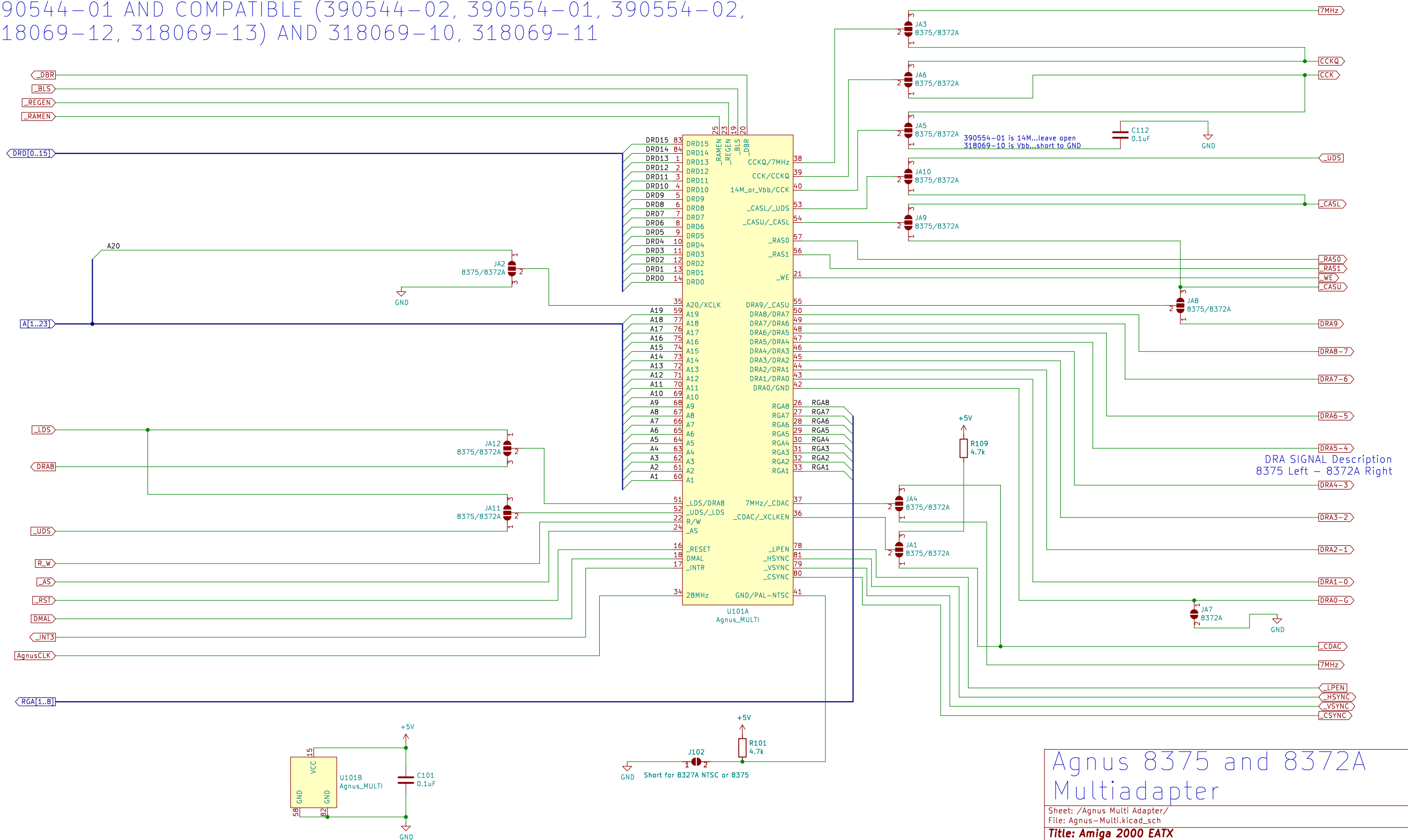


COPROCESSOR

Sheet: /Coproprocessor/		
File: coprocessor.kicad_sch		
Title: Amiga 2000 EATX		
Size: B	Date: 2023-03-10	Rev: 3.0
KiCad E.D.A. kicad 7.0.0		Id: 3/14

SUPPORTS 8372A (ALL PART NUMBERS)
 AND 8375 THE FOLLOWING PART NUMBERS:
 390544-01 AND COMPATIBLE (390544-02, 390554-01, 390554-02,
 318069-12, 318069-13) AND 318069-10, 318069-11

JUMPERS MUST BE CONFIGURED BY AGNUS PART NUMBER



DRA SIGNAL Description
 8375 Left - 8372A Right

Agnus 8375 and 8372A
 Multiadapter

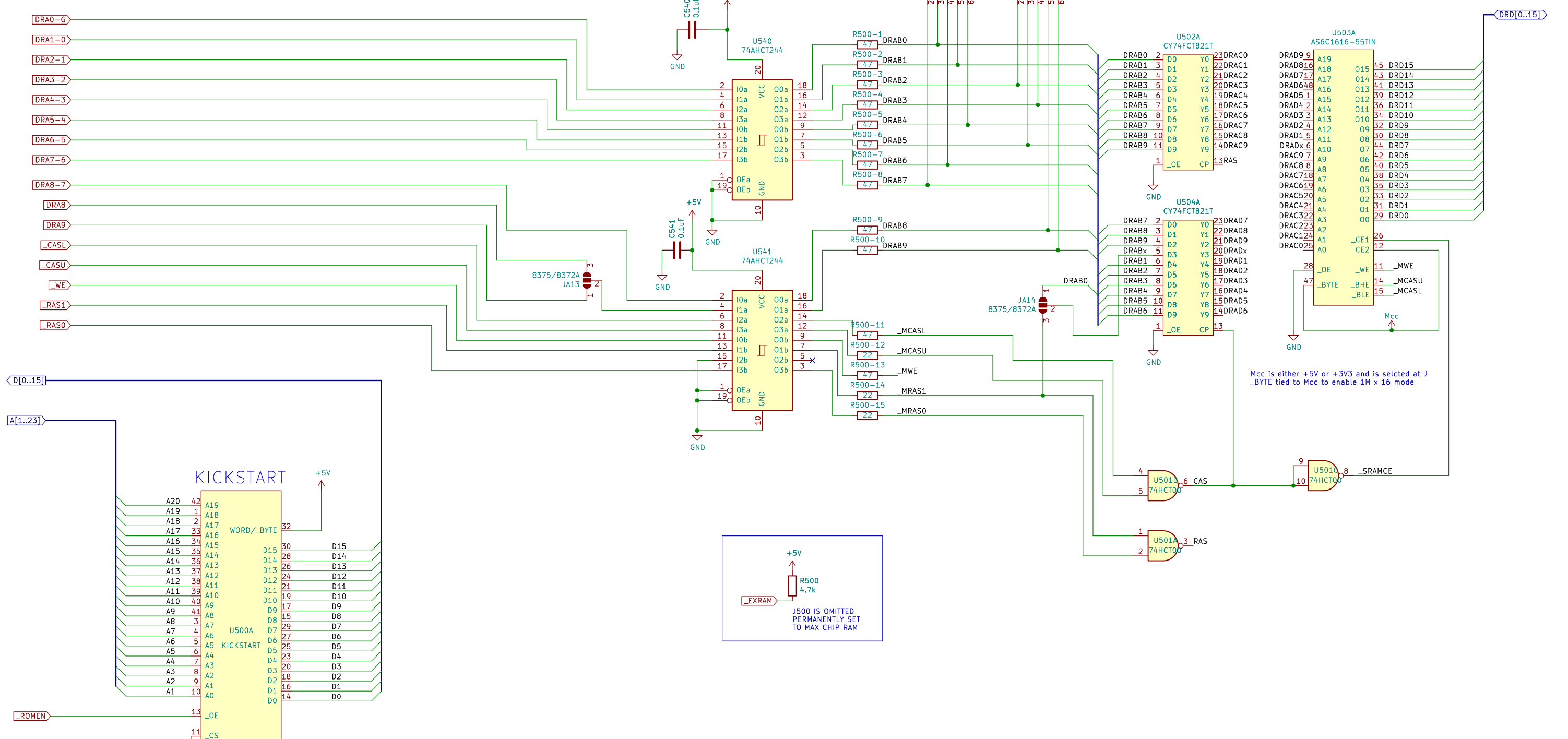
Sheet: /Agnus Multi Adapter/
 File: Agnus-Multi.kicad_sch

Title: Amiga 2000 EATX

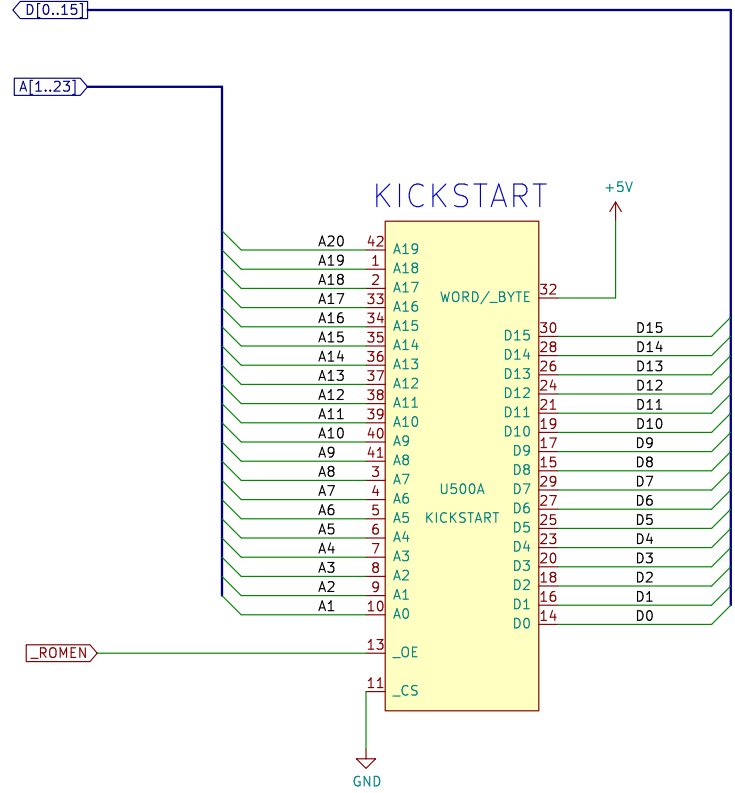
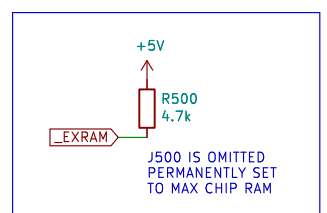
Size: B	Date: 2023-03-10	Rev: 3.0
KiCad E.D.A. kicad 7.0.0		Id: 4/14

JUMPERS MUST BE CONFIGURED BY AGNUS PART NUMBER

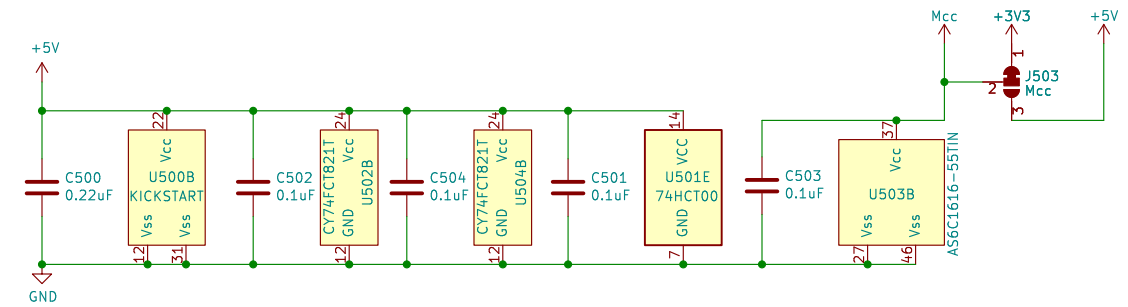
DRA SIGNAL Description
8375 Left - 8372A Right



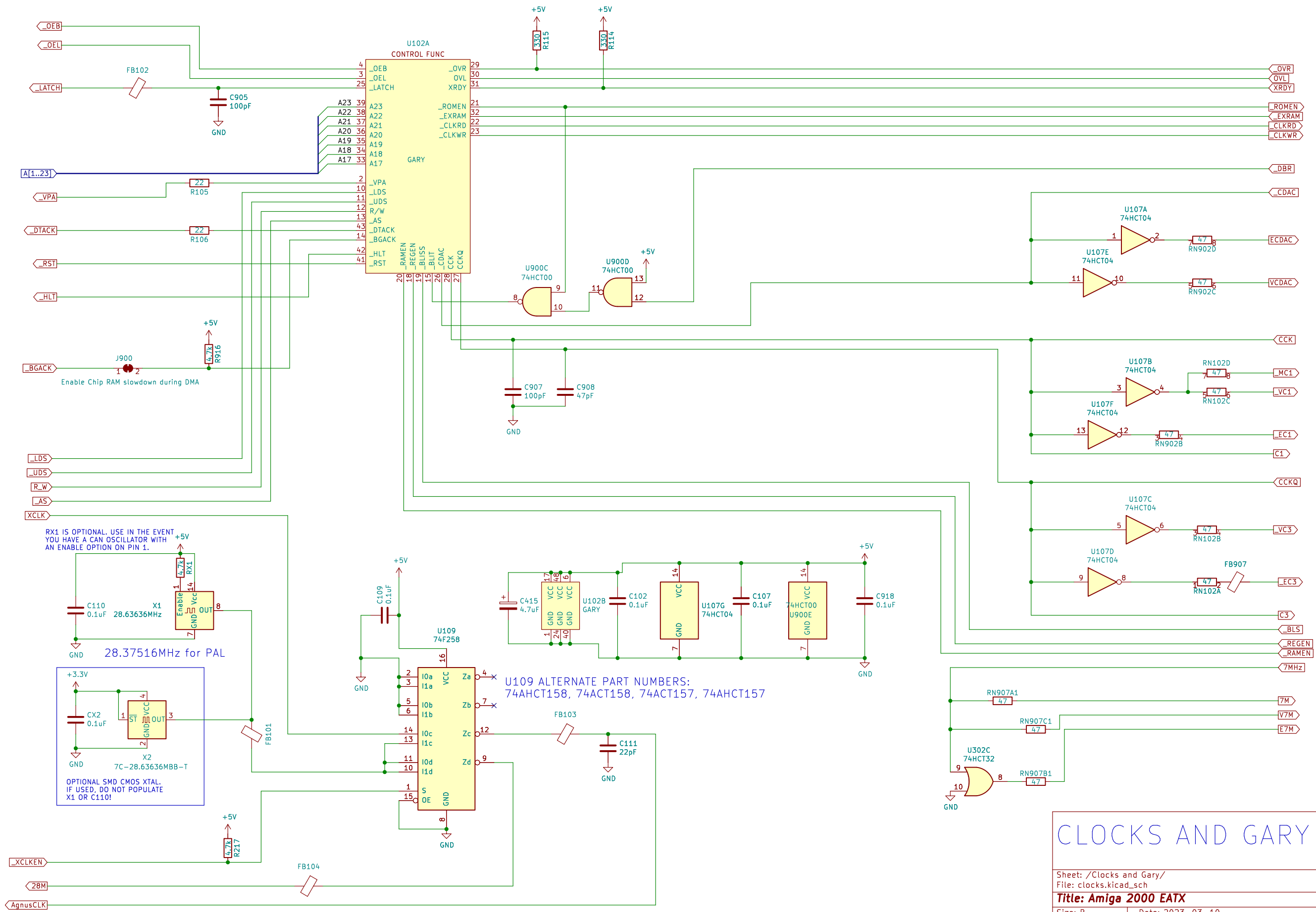
Mcc is either +5V or +3V3 and is selected at J_BYTE tied to Mcc to enable 1M x 16 mode



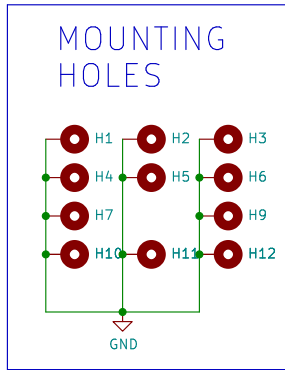
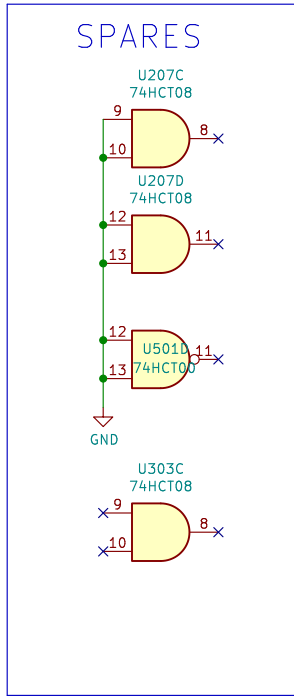
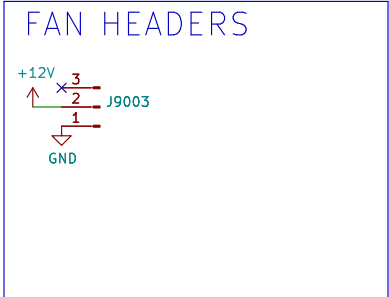
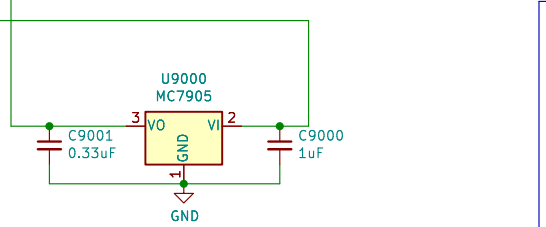
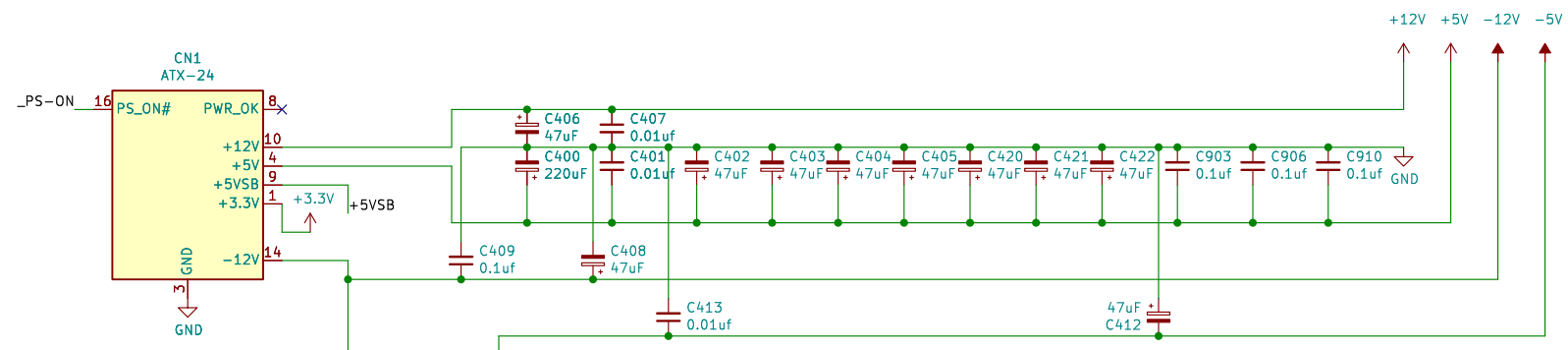
Accepts 512k, 1MB, and 2MB EPROMs.
Install 27C400 starting at pin 2.
Install 27C800 and 27C160 as normal.



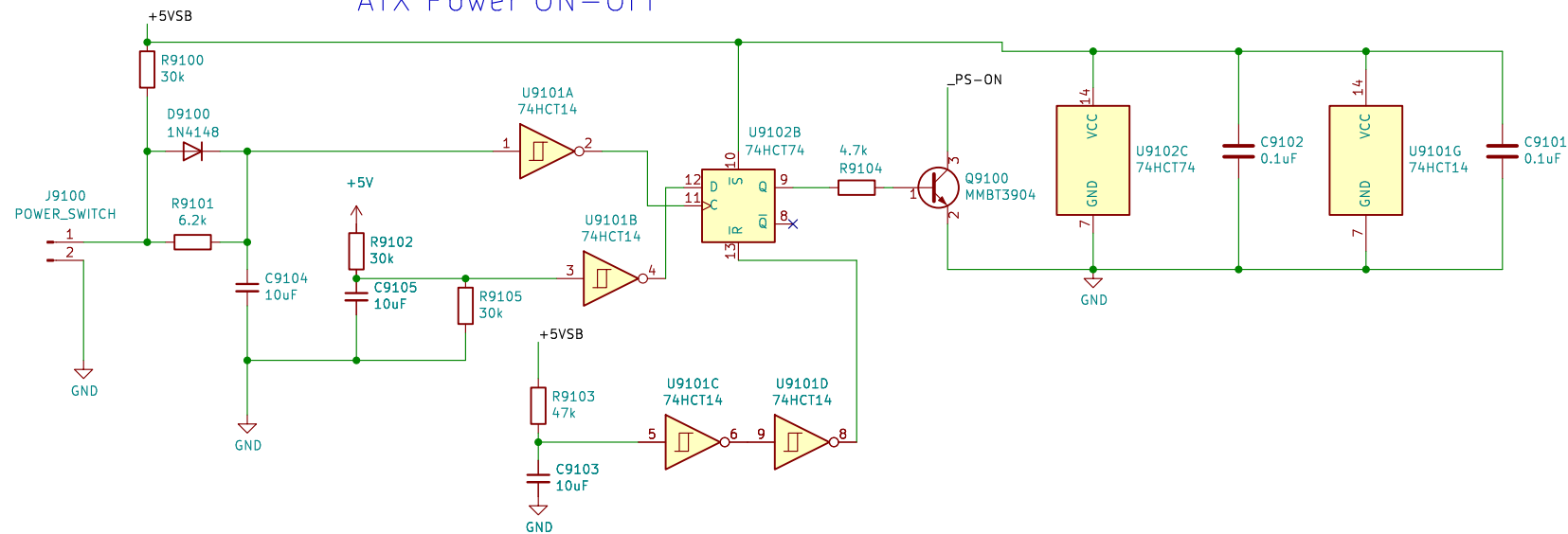
Memory and Kickstart Amiga 2000 EATX



CLOCKS AND GARY

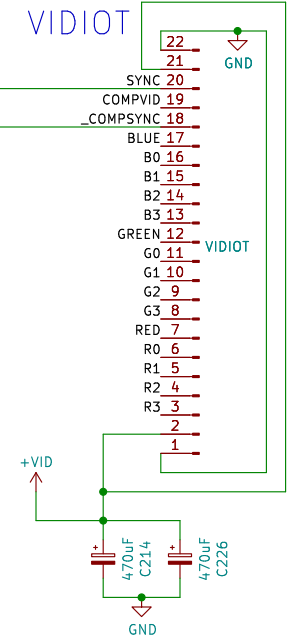
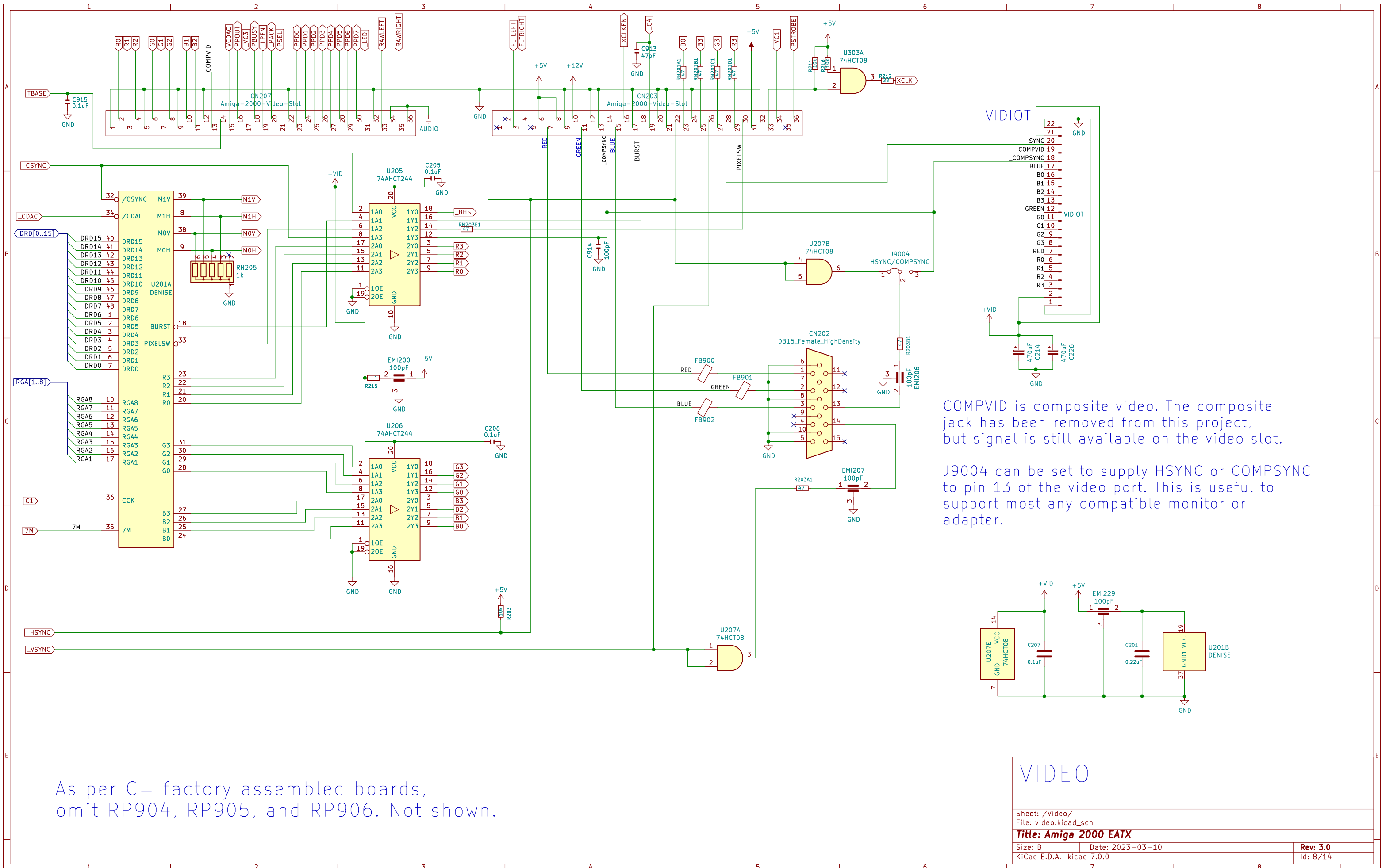


ATX Power ON-OFF



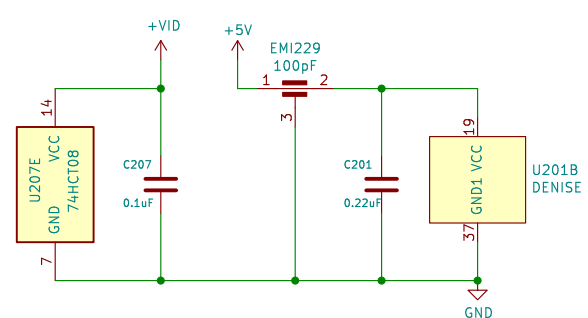
POWER AND SPARES

Sheet: /Power/		
File: power.kicad_sch		
Title: Amiga 2000 EATX		
Size: B	Date: 2023-03-10	Rev: 3.0
KiCad E.D.A. kicad 7.0.0		Id: 7/14



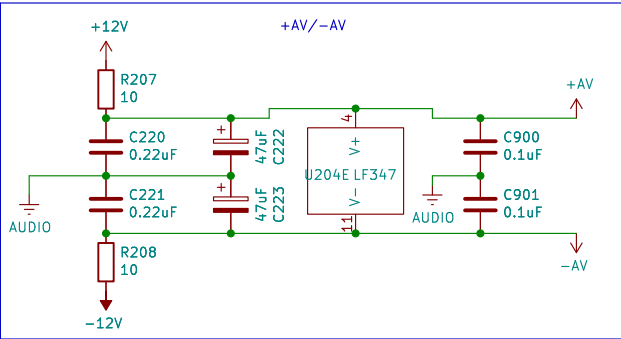
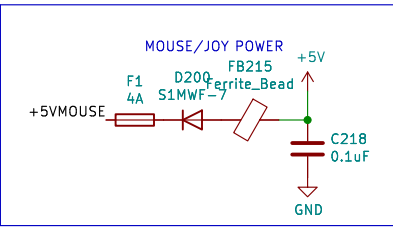
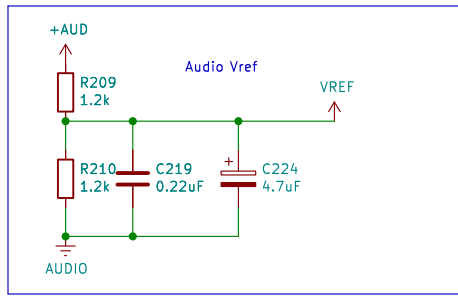
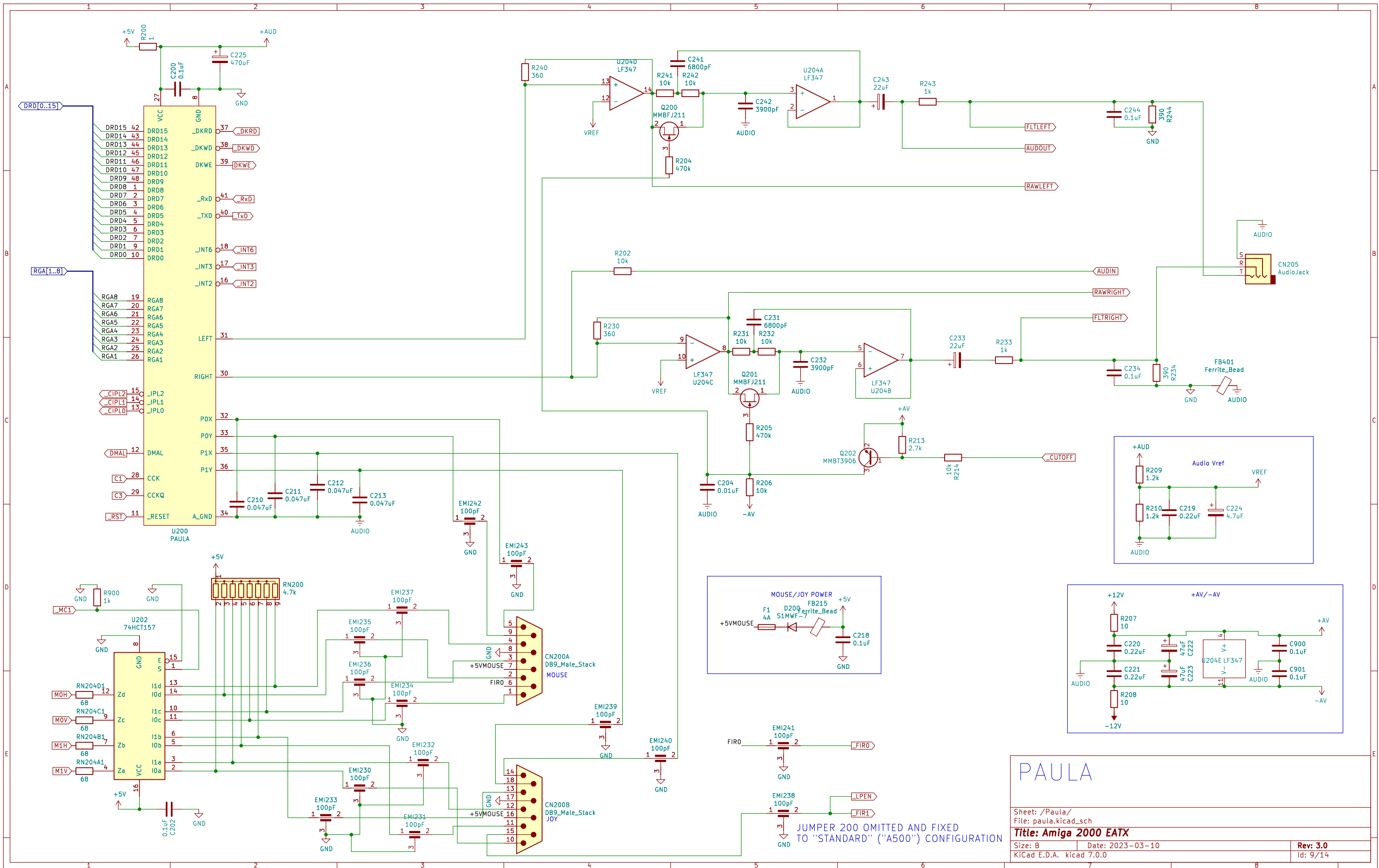
COMPVID is composite video. The composite jack has been removed from this project, but signal is still available on the video slot.

J9004 can be set to supply HSYNC or COMPSYNC to pin 13 of the video port. This is useful to support most any compatible monitor or adapter.



As per C= factory assembled boards, omit RP904, RP905, and RP906. Not shown.

VIDEO

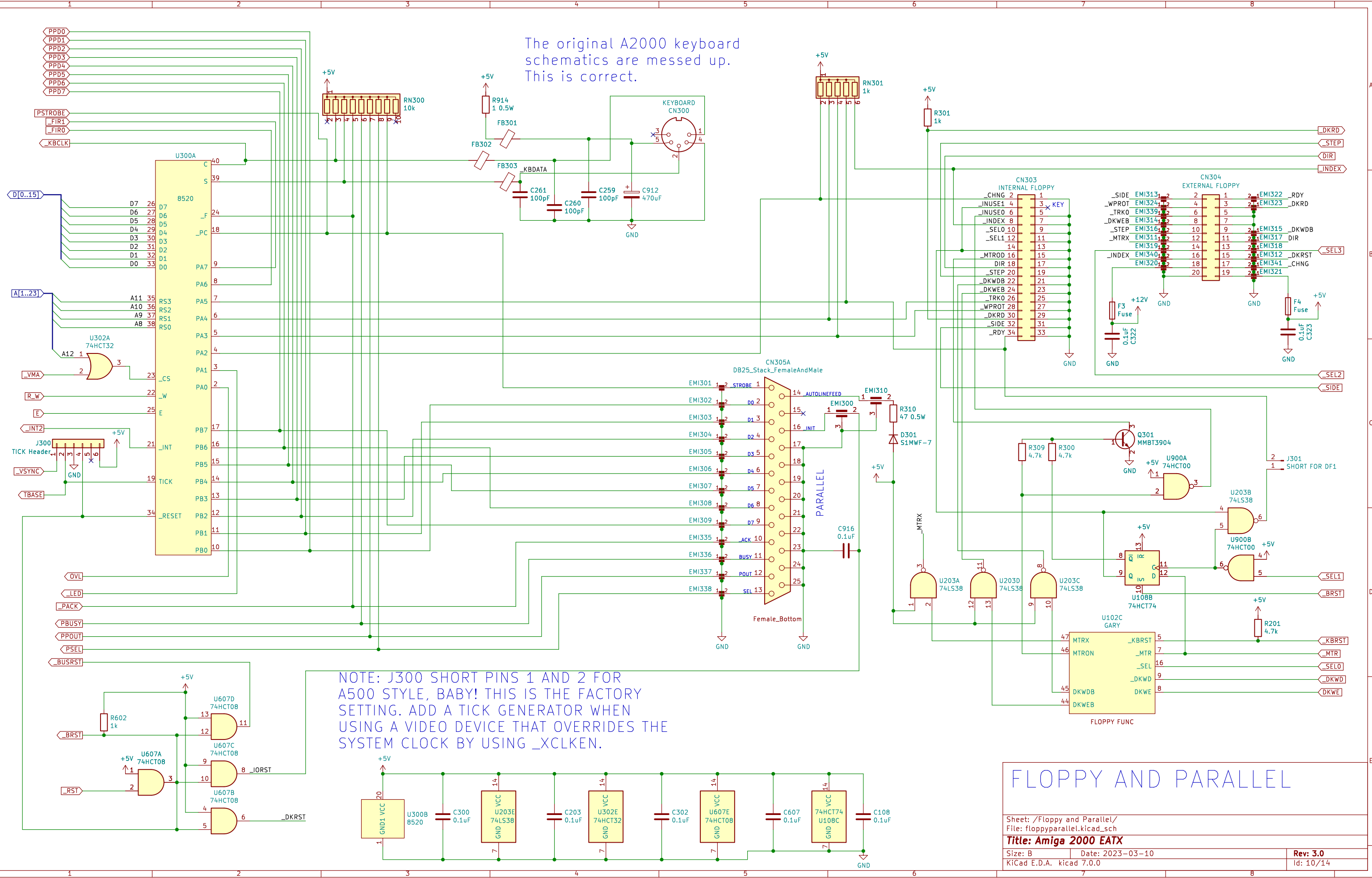


PAULA

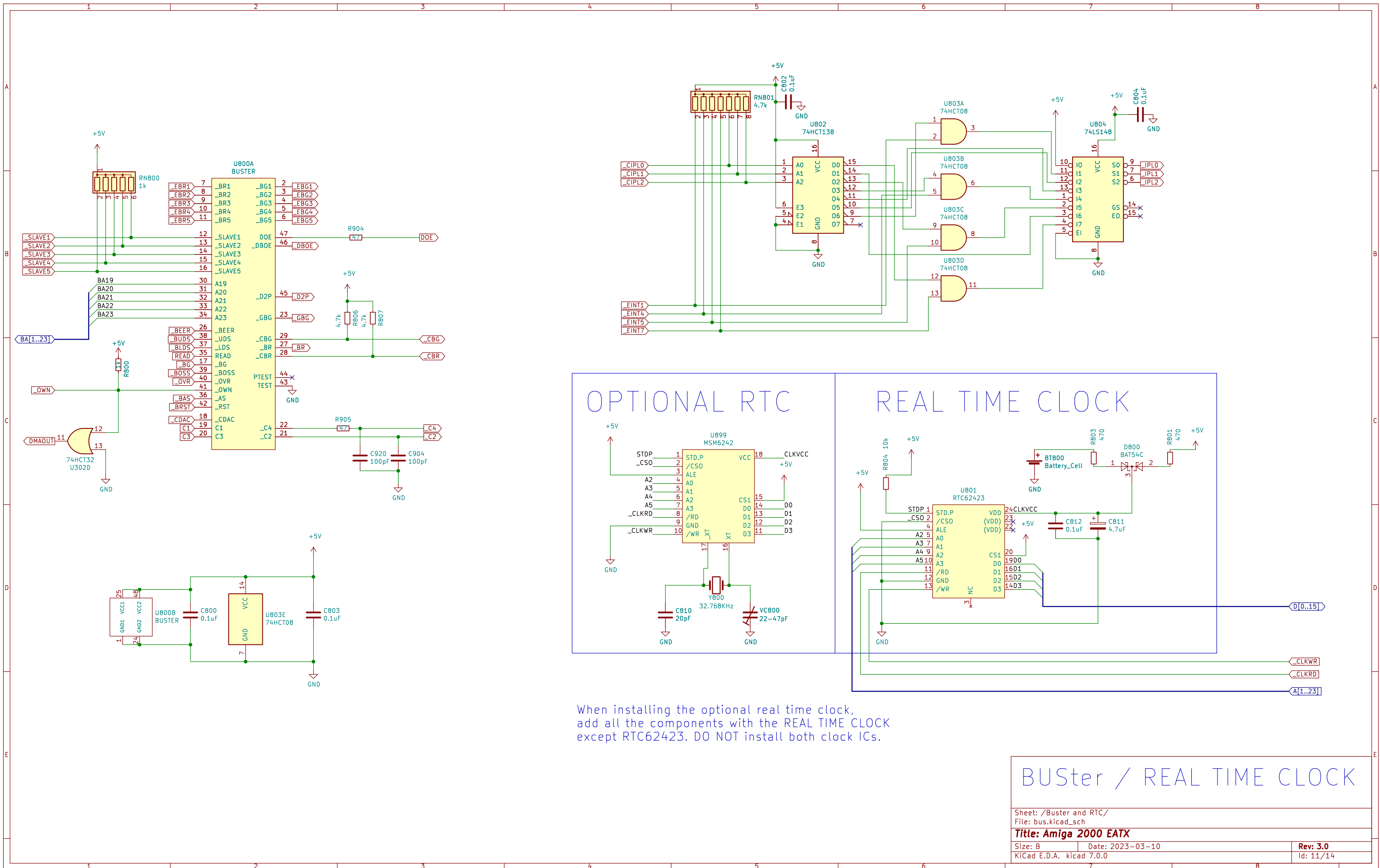
JUMPER 200 OMITTED AND FIXED TO "STANDARD" ("A500") CONFIGURATION

The original A2000 keyboard schematics are messed up. This is correct.

NOTE: J300 SHORT PINS 1 AND 2 FOR A500 STYLE, BABY! THIS IS THE FACTORY SETTING. ADD A TICK GENERATOR WHEN USING A VIDEO DEVICE THAT OVERRIDES THE SYSTEM CLOCK BY USING _XCLKEN.

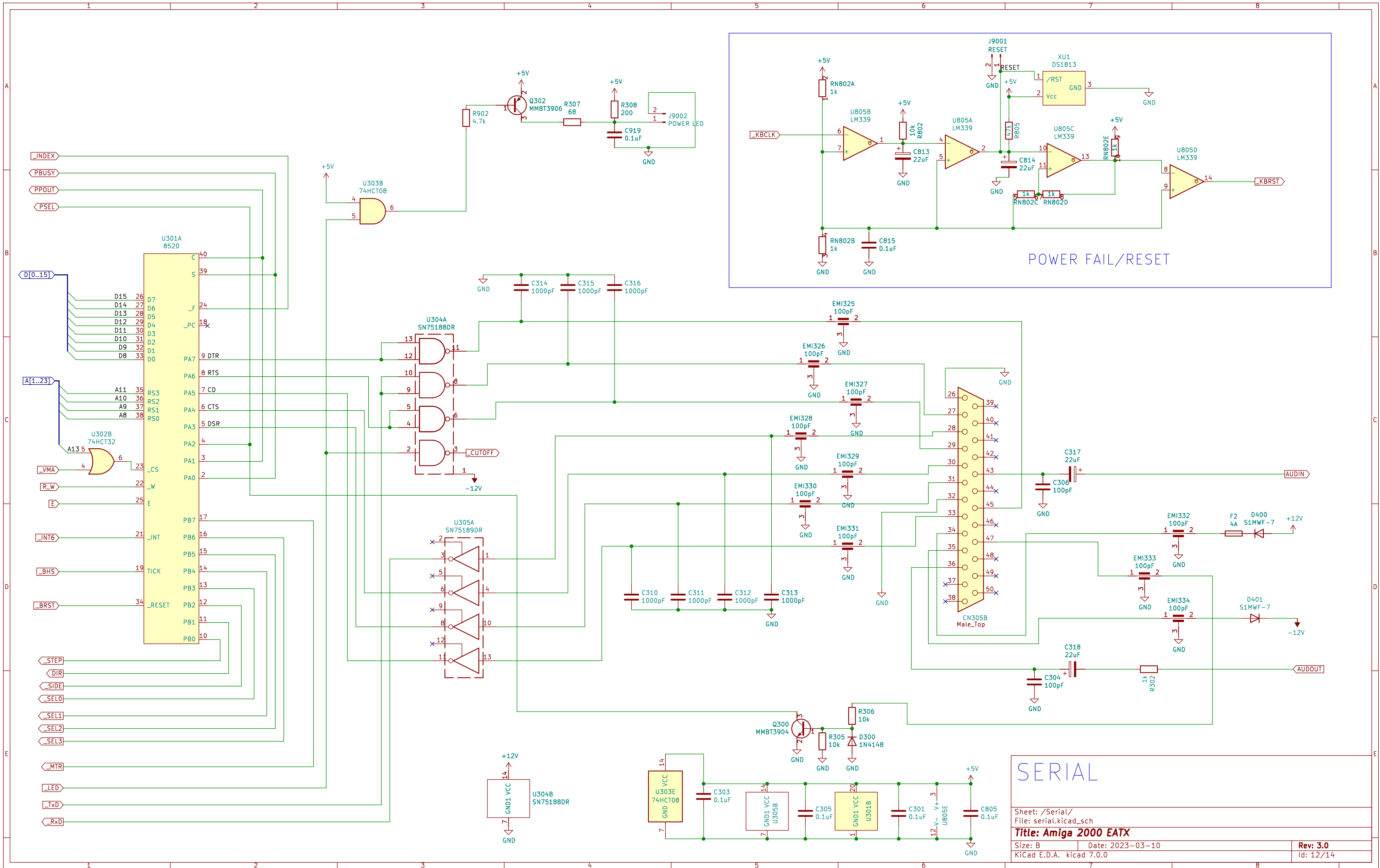


FLOPPY AND PARALLEL



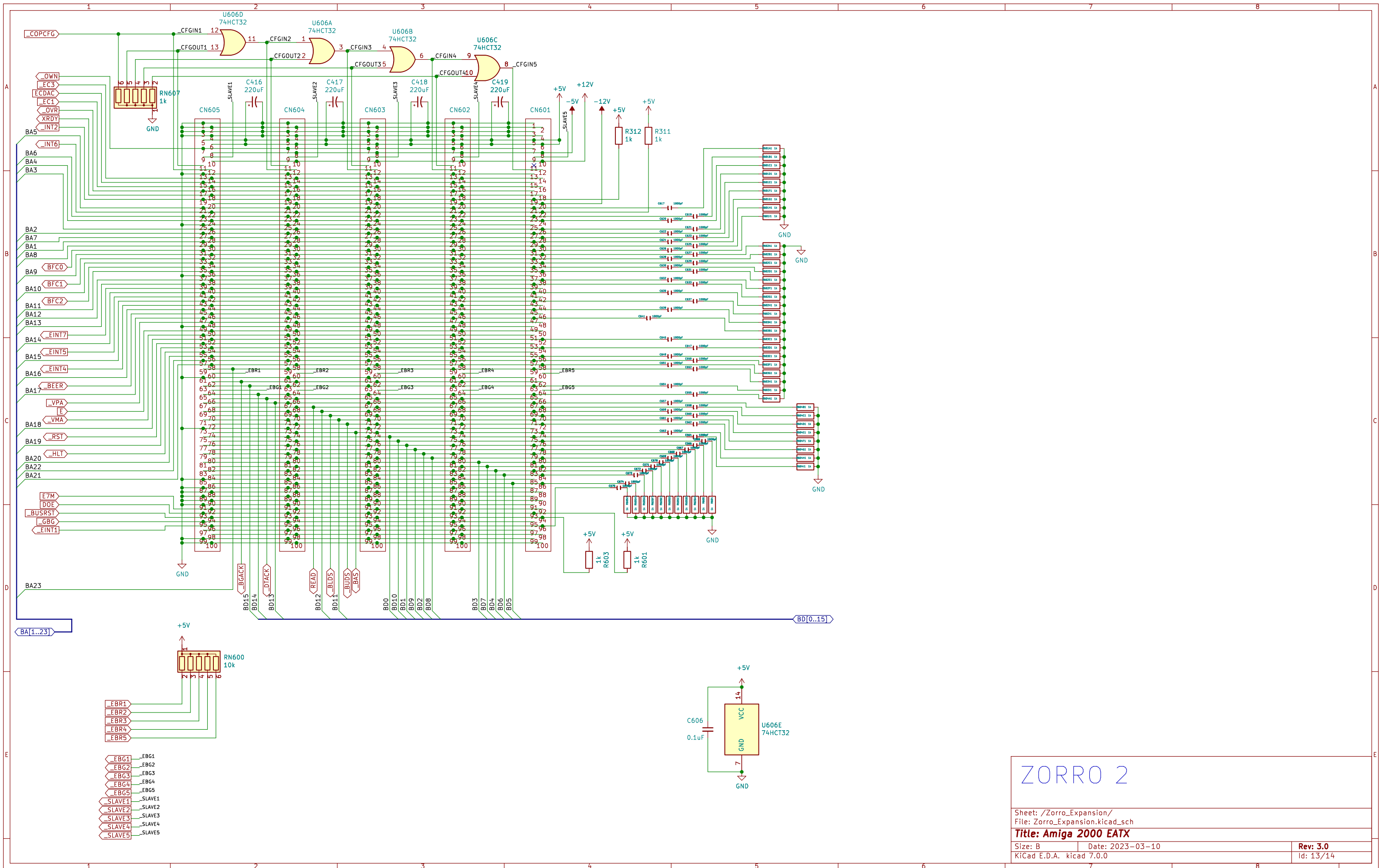
When installing the optional real time clock, add all the components with the REAL TIME CLOCK except RTC62423. DO NOT install both clock ICs.

BUSter / REAL TIME CLOCK

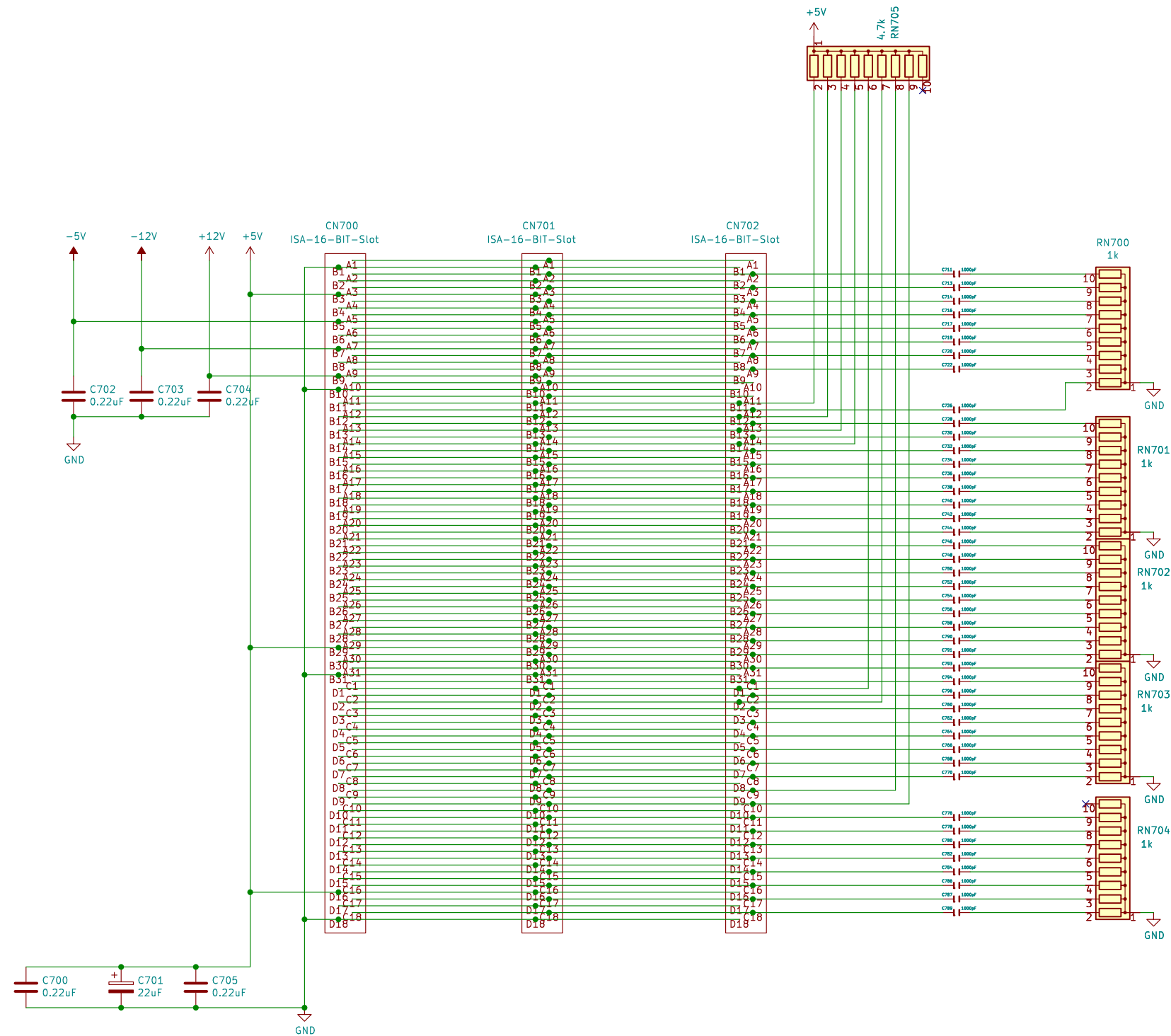


SERIAL

Sheet: /Serial/		Date: 2023-03-10	
File: serial.kicad_sch		Rev: 3.0	
Title: Amiga 2000 EATX		KiCad E.D.A. kicad 7.0.0	
Size: B	Date: 2023-03-10		Rev: 3.0
Id: 12/14			



ZORRO 2



ISA EXPANSION

Sheet: /ISA/		
File: isa.kicad_sch		
Title: Amiga 2000 EATX		
Size: B	Date: 2023-03-10	Rev: 3.0
KiCad E.D.A. kicad 7.0.0		Id: 14/14